

COMPONENTS

A M10 SOCKET DOME SCREW AND HEX DOME NUT - 80mm LONG **x6** 

B GROUND SOCKET 900mm HIGH - 70mm Diameter **x2** 

AK ALLEN KEY FOR COMPONENT A **x1** 

ALUMINIUM POST SECTIONS

C CROSSBAR SECTION **x1** 

E LEFT UPRIGHT SECTION **x1** 

F RIGHT UPRIGHT SECTION **x1** 

G LEFT UPRIGHT SECTION TOP **x1** 

H RIGHT UPRIGHT SECTION TOP **x1** 

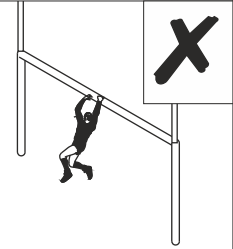
YOUTH RUGBY POST 5.6M HIGH X 4.6M WIDE - ALUMINIUM SOCKETED VERSION.

IT IS ADVISABLE IN ANY CONTACT SPORT TO TAKE OUT THE RELEVANT INSURANCE'S TO COVER AGAINST INJURY BOTH FROM TAKING PART, EQUIPMENT AND OTHER UNFORESEEABLE CIRCUMSTANCES.

DAMAGED COMPONENTS requested under guarantee must be returned for inspection. Failure to follow the warnings, assembly and fitting instructions contained in this document, may invalidate your guarantee.

SPARE PARTS TEL: 0114 24 34 200

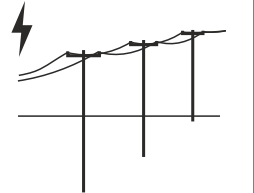
WARNING



DO NOT SWING ON CROSSBARS.

CROSSBARS WILL NOT BE REPLACED WITHIN THE GUARANTEE PERIOD IF BROKEN BY SWINGING OR CLIMBING OR ANY OTHER

WARNING



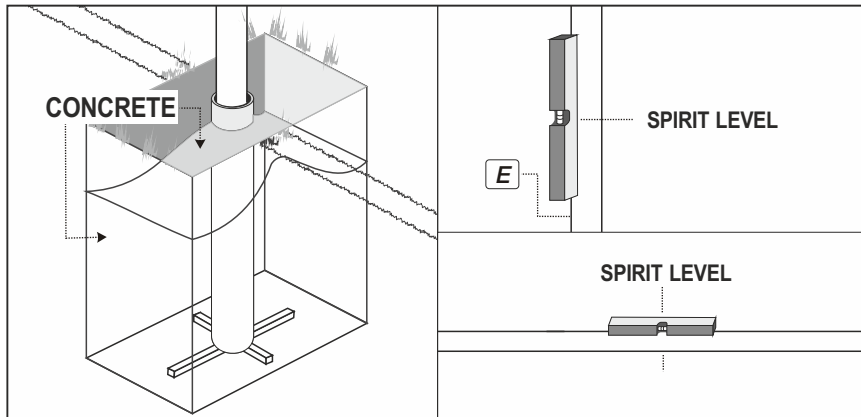
DO NOT TOUCH OVERHEAD SERVICES

DO NOT TOUCH OVERHEAD SERVICES WITH GOALPOST SECTIONS. CHECK THE POSITION OF ANY OVERHEAD SERVICES WHEN SETTING UP OR DISMANTLING THE GOALS, EG. POWER LINES, TELEPHONE CABELS ETC.

WARNING

MAKE SURE NO CHILDREN ARE PRESENT AT ANY TIME DURING GOAL INSTALLATION, REMOVAL OR ASSEMBLY.

WE ADVISE GOALS MUST ALWAYS BE DISMANTLED IF NOT IN USE.

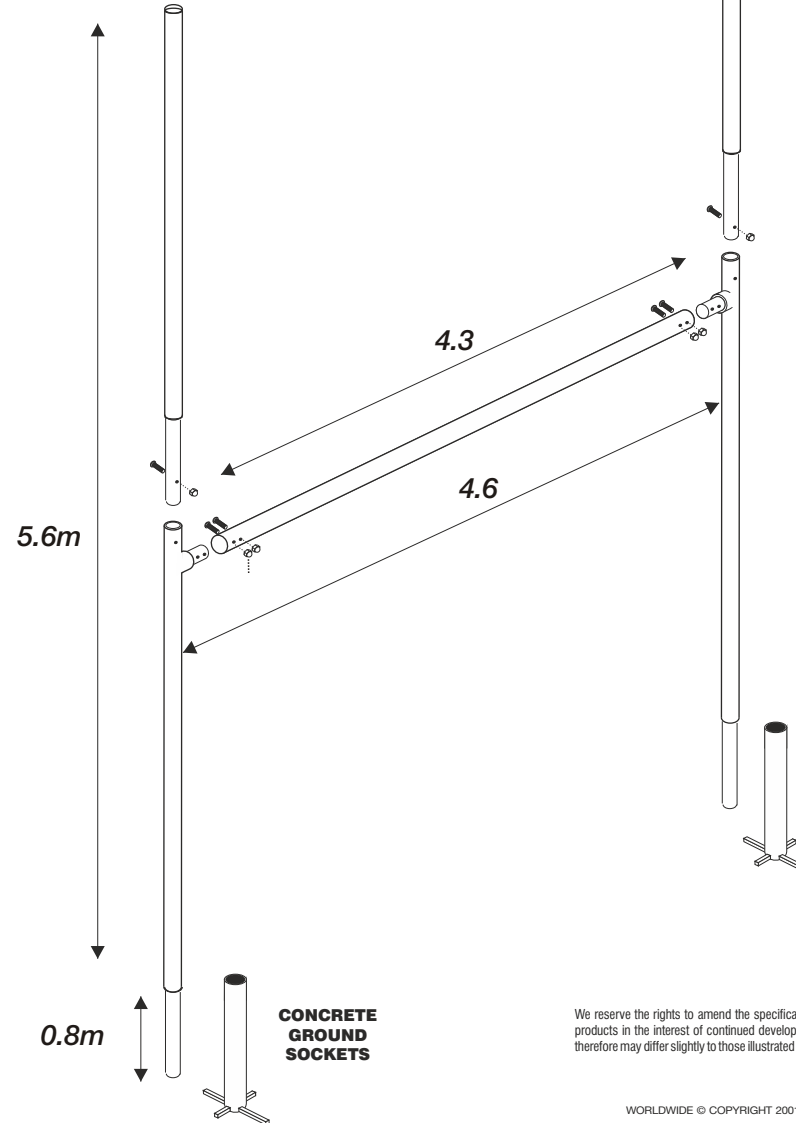


NEVER INSTALL THE POSTS IN HIGH WINDS.

IF GALES ARE FORECAST WE RECOMMEND THAT YOUR GOAL IS DISMANTLED AND STORED SAFELY

PLEASE WEAR A HARD HAT AND SAFETY BOOTS WHEN INSTALLING & DISMANTLING THE GOAL

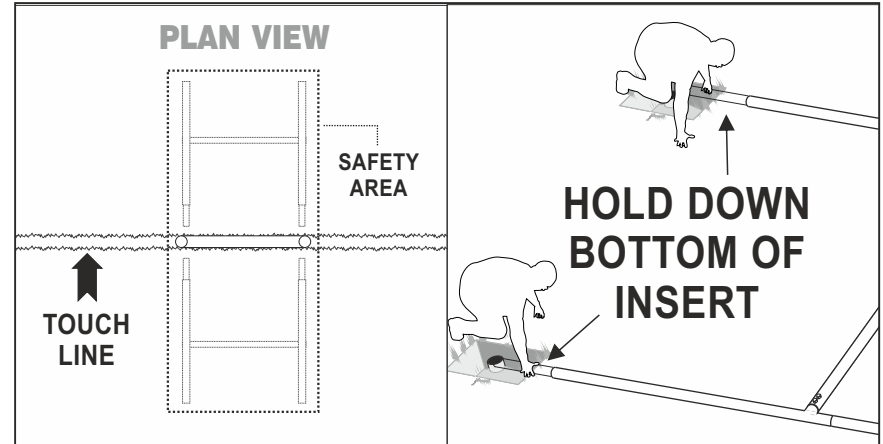
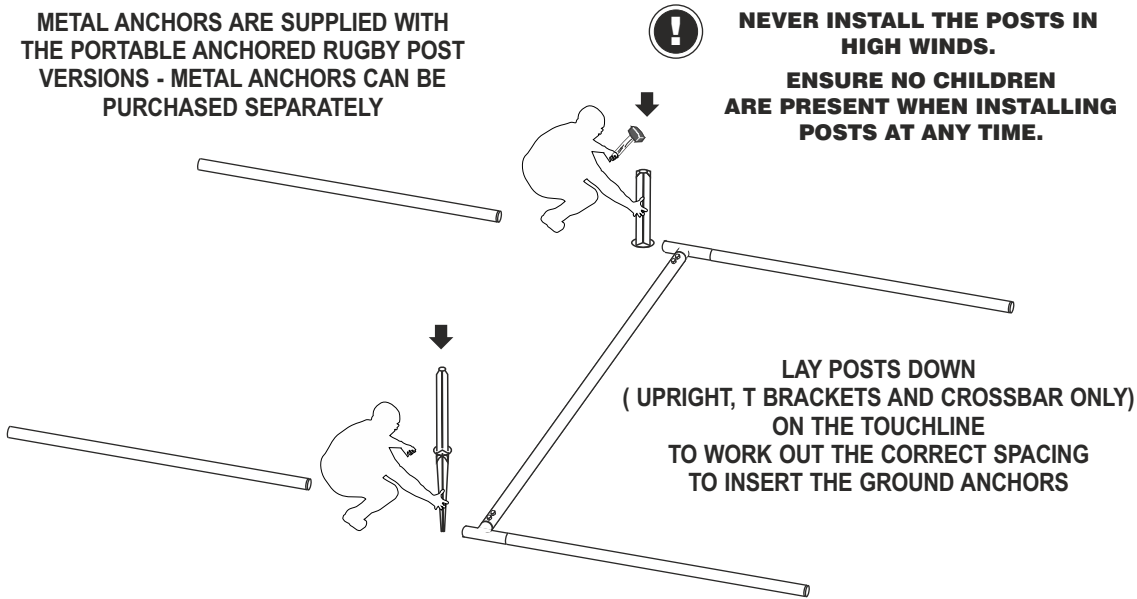
ENSURE NO CHILDREN ARE PRESENT WHEN INSTALLING POSTS AT ANY TIME.



CONCRETE GROUND SOCKETS

We reserve the rights to amend the specifications of our soccer products in the interest of continued development. Your product therefore may differ slightly to those illustrated in this publication.

METAL ANCHORS ARE SUPPLIED WITH THE PORTABLE ANCHORED RUGBY POST VERSIONS - METAL ANCHORS CAN BE PURCHASED SEPARATELY



Make sure no children are present before you install the goal, and mark out a child free safety area which is 28ft long and 18ft wide in front and behind the goal in case it topples during installation

IMPORTANT

When installing your portable rugby posts always be aware of safety. See overleaf for details on recommended installation.

OPTIONAL METAL GROUND ANCHORS

Remember always insert the ground anchors the correct distance apart - lay the crossbar on the ground to mark the space apart.
Always insert the ground anchors perpendicular - use a spirit level. If the ground is very hard water the ground to soften before hammering the anchors in. Once the posts are assembled you must risk assess the stability of the posts. If you find the posts are unstable ie because your ground is loose sandy soil we recommend purchasing the optional ground sockets that can be concreted in position.
NEVER INSTALL POSTS IF YOU DO NOT HAVESUFFICIENT PEOPLE TO DO SO SAFELY; WE OFFER AN INSTALLATION SERVICE AT ADDITIONAL COSTS IF REQUIRED.

CONCRETE GROUND SOCKETS

The portable spiked rugby post is designed to be used in different locations. Ideal for tournaments and when posts are dismantled and stored or used in multiple locations. If you find you would like to have the posts permanently in position on one position it is advisable to concrete in optional extra ground sockets as per fig a. Separate instructions can be supplied with details about installing concrete sockets.

