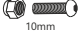









## COMPONENTS

<b>A</b>	M10 SOCKET DOME SCREW AND HEX DOME NUT - 80mm LONG	x7	
<b>B</b>	GROUND ANCHOR 900mm HIGH - 70mm Diameter	x2	
<b>AK</b>	ALLEN KEY FOR COMPONENT A	x1	
<b>ALUMINIUM POST SECTIONS</b>			
<b>C</b>	MIDDLE SECTION	x2	
<b>F</b>	LOWER POST SECTION	x2	
<b>D</b>	TOP POST SECTION	x2	
<b>E2</b>	CROSSBAR WITH INSERT	x1	
<b>E1</b>	CROSSBAR NO INSERT	x1	

**ALUMINIUM PORTABLE**

# LIGHTWEIGHT PORTABLE RUGBY POST GOAL

**YOUTH RUGBY POST 5.6M HIGH X 4.6M WIDE - PORTABLE SPIKED VERSION.**

IT IS ADVISABLE IN ANY CONTACT SPORT TO TAKE OUT THE RELEVANT INSURANCE'S TO COVER AGAINST INJURY BOTH FROM TAKING PART, EQUIPMENT AND OTHER UNFORESEEABLE CIRCUMSTANCES.

DAMAGED COMPONENTS requested under guarantee must be returned for inspection. Failure to follow the warnings, assembly and fitting instructions contained in this document, may invalidate your guarantee.

**FITTING INSTRUCTION**   
www.itsagoal.net

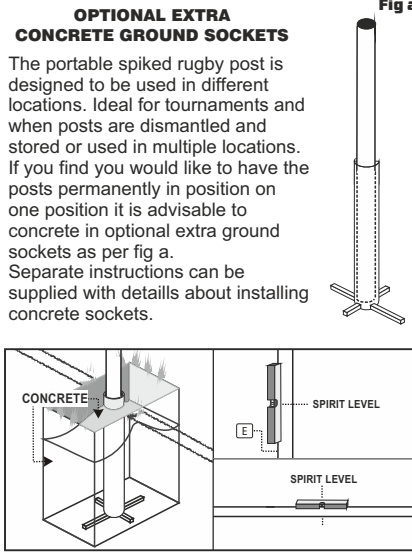
SPARE PARTS TEL: 0114 24 34 200

## IMPORTANT

When installing your portable rugby posts always be aware of safety. See overleaf for details on recommended installation.

**Remember** always insert the ground anchors the correct distance apart - lay the crossbar on the ground to mark the space apart.

**Always** insert the ground anchors perpendicular - use a spirit level. If the ground is very hard water the ground to soften before hammering the anchors in. Once the posts are assembled you must risk assess the stability of the posts. If you find the posts are unstable ie because your ground is loose sandy soil we recommend purchasing the optional ground sockets that can be concreted in position. NEVER INSTALL POSTS IF YOU DO NOT HAVESUFFICIENT PEOPLE TO DO SO SAFELY; WE OFFER AN INSTALLATION SERVICE AT ADDITIONAL COSTS IF REQUIRED.

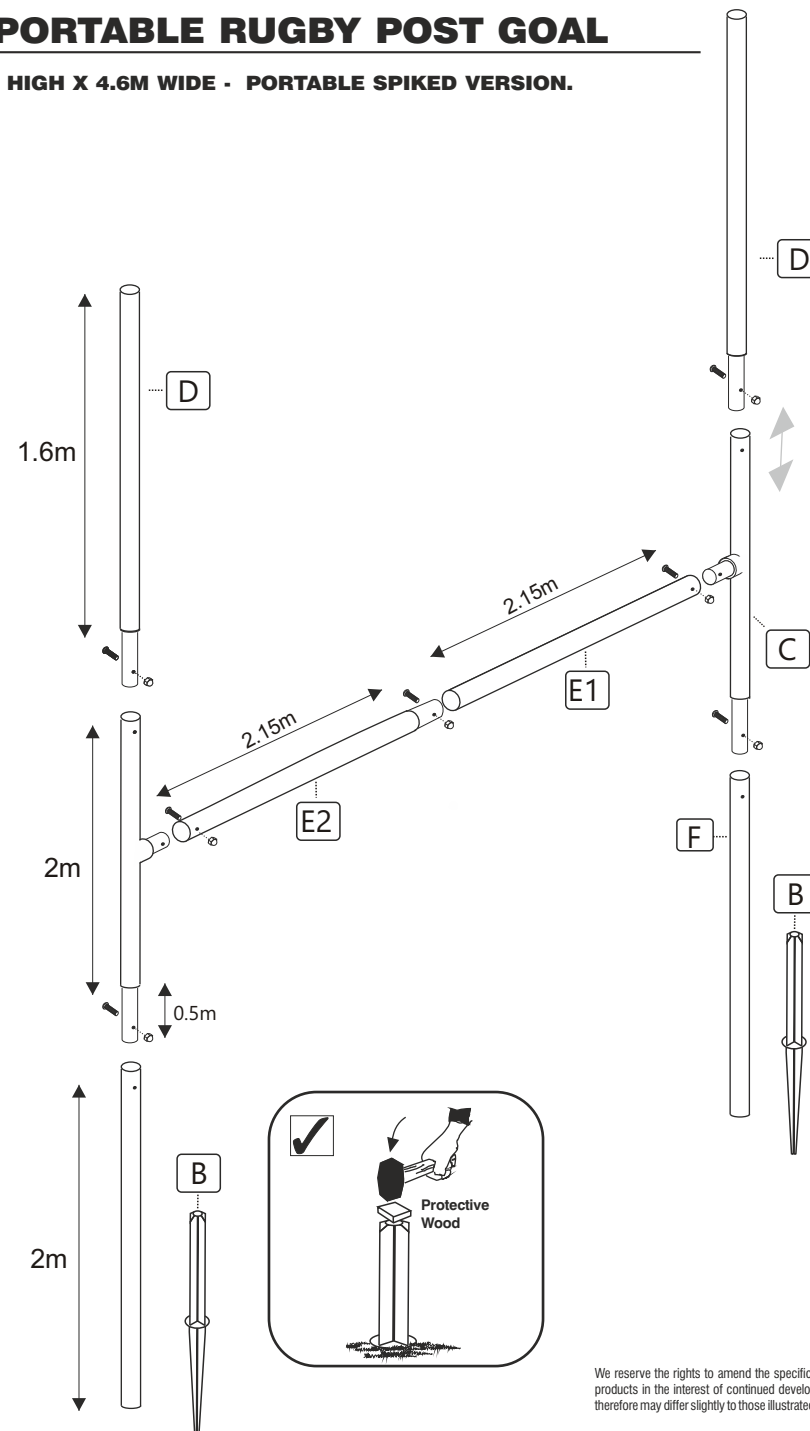


**NEVER INSTALL THE POSTS IN HIGH WINDS.**

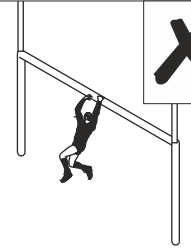
**PLEASE WEAR A HARD HAT AND SAFETY BOOTS WHEN INSTALLING & DISMANTLING THE GOAL**

**IF GALES ARE FORECAST WE RECOMMEND THAT YOUR GOAL IS DISMANTLED AND STORED SAFELY**

**ENSURE NO CHILDREN ARE PRESENT WHEN INSTALLING POSTS AT ANY TIME.**



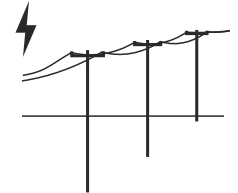
## WARNING



**DO NOT SWING ON CROSSBARS.**

CROSSBARS WILL NOT BE REPLACED WITHIN THE GUARANTEE PERIOD IF BROKEN BY SWINGING OR CLIMBING OR ANY OTHER MISUSE.

## WARNING



**DO NOT TOUCH OVERHEAD SERVICES**

DO NOT TOUCH OVERHEAD SERVICES WITH GOALPOST SECTIONS. CHECK THE POSITION OF ANY OVERHEAD SERVICES WHEN SETTING UP OR DISMANTLING THE GOALS, EG. POWER LINES, TELEPHONE CABLES ETC.

## WARNING

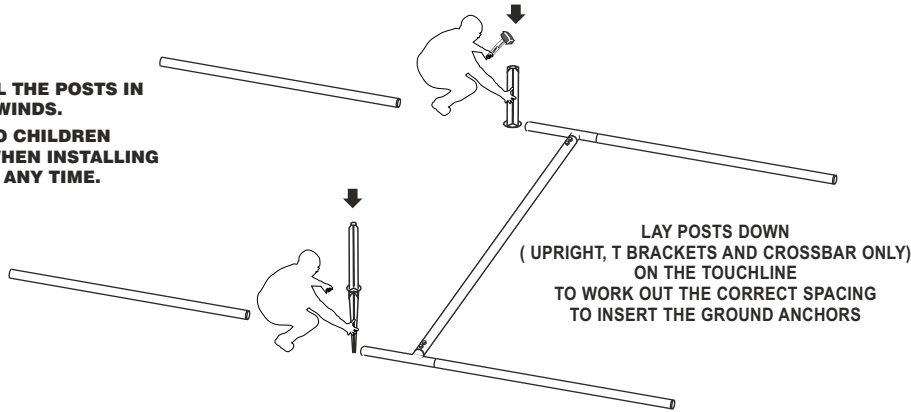
**MAKE SURE NO CHILDREN ARE PRESENT AT ANY TIME DURING GOAL INSTALLATION, REMOVAL OR ASSEMBLY.**

GOALS MUST ALWAYS BE DISMANTLED IF NOT IN USE.

We reserve the rights to amend the specifications of our soccer products in the interest of continued development. Your product therefore may differ slightly to those illustrated in this publication.



**NEVER INSTALL THE POSTS IN HIGH WINDS. ENSURE NO CHILDREN ARE PRESENT WHEN INSTALLING POSTS AT ANY TIME.**



**ALWAYS USE A PROTECTIVE PIECE OF WOOD (NOT INCLUDED) BEFORE HAMMERING THE TOP OF THE METAL SPIKE.**

This will protect the metal anchor spike and prevent the top becoming misshapen. If the metal spike becomes misshapen and is not covered under the guarantee. If the ground is hard, water the ground to soften and use a starter metal pole not included.

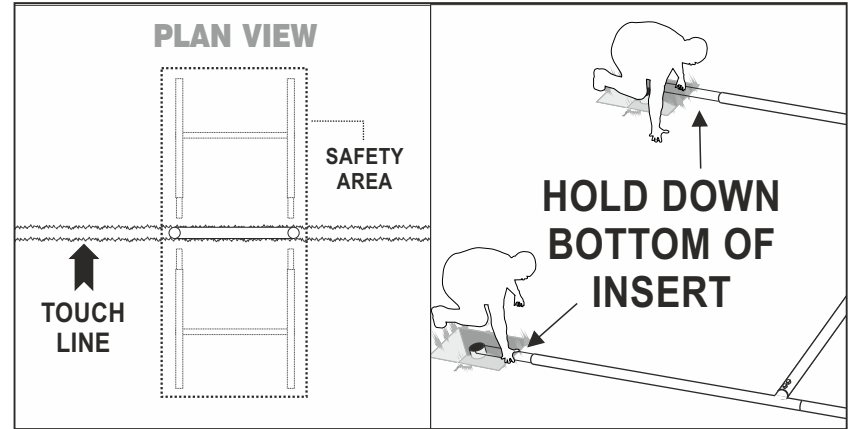
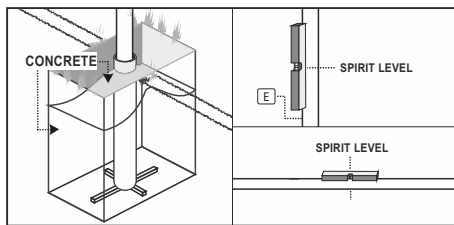
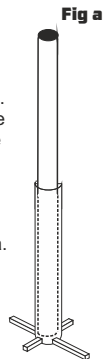
## IMPORTANT

When installing your portable rugby posts always be aware of safety. See overleaf for details on recommended installation.

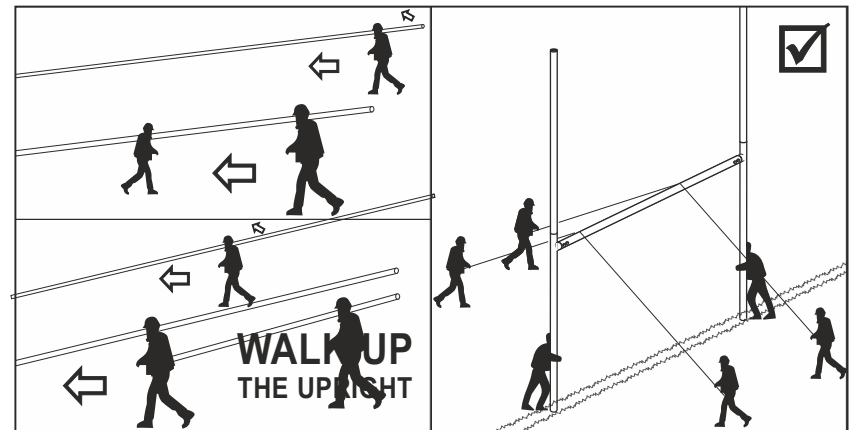
**Remember** always insert the ground anchors the correct distance apart - lay the crossbar on the ground to mark the space apart.  
**Always** insert the ground anchors perpendicular - use a spirit level. If the ground is very hard water the ground to soften before hammering the anchors in. Once the posts are assembled you must risk assess the stability of the posts. If you find the posts are unstable ie because your ground is loose sandy soil we recommend purchasing the optional ground sockets that can be concreted in position.  
**NEVER INSTALL POSTS IF YOU DO NOT HAVE SUFFICIENT PEOPLE TO DO SO SAFELY; WE OFFER AN INSTALLATION SERVICE AT ADDITIONAL COSTS IF REQUIRED.**

### OPTIONAL EXTRA CONCRETE GROUND SOCKETS

The portable spiked rugby post is designed to be used in different locations. Ideal for tournaments and when posts are dismantled and stored or used in multiple locations. If you find you would like to have the posts permanently in position on one position it is advisable to concrete in optional extra ground sockets as per fig a. Separate instructions can be supplied with details about installing concrete sockets.



Make sure no children are present before you install the goal, and mark out a child free safety area which is 28 ft long and 18ft wide in front and behind the goal in case it topples during installation



With a minimum of 6-8 people, two people will need to hold down the bottom of the goal section to stop it from sliding. Another two people will need to walk up the uprights on each side to erect and place into position over the ground . It is also recommended to use guide ropes as shown for additional safety.