








**COMPONENTS**


<b>BL</b>	BRASS BARREL LOCK & KEY	<b>x2</b>	
<b>B</b>	GROUND SOCKET	<b>x2</b>	
<b>B1</b>	SOCKET BOLT 45mm THREAD LENGTH	<b>x2</b>	 8mm
<b>C</b>	TWIST AND LOCK NET FIXING	<b>x24</b>	

**POST SECTIONS**

<b>H</b>	CROSSBAR SECTION	<b>x1</b>	
<b>I</b>	UPRIGHT SECTION	<b>x2</b>	

**OPTIONAL ITEMS**

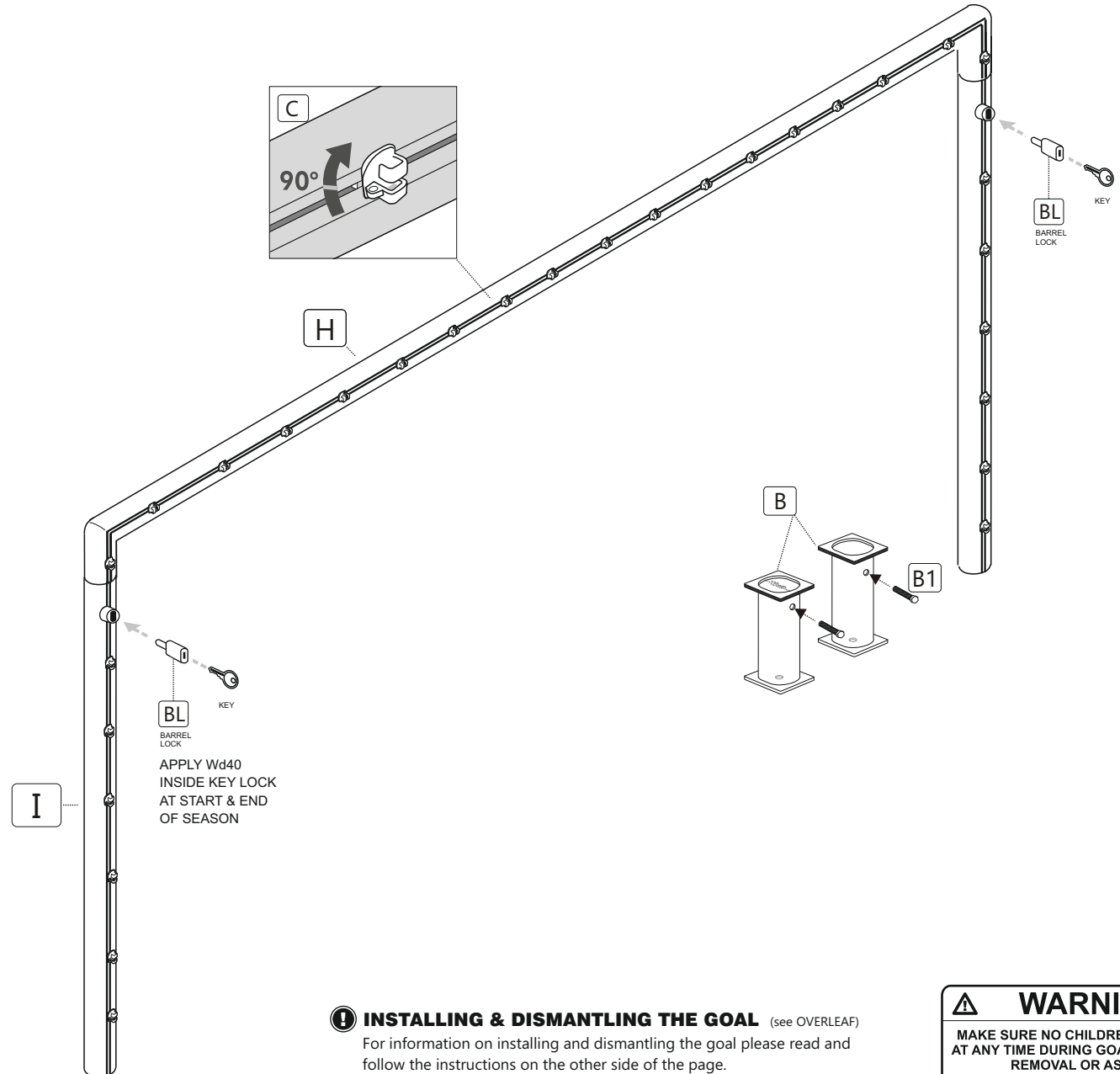
<b>NET</b>	SUPPLIED IF PURCHASED WITH GOAL
	GOAL NET STANDARD SHAPE <b>x1</b>

<b>ACCESSORIES</b>	SUPPLIED IF PURCHASED WITH GOAL
	GROUND PEG <b>x24</b>

**80mm ALUMINIUM**

**12' X 6' SOCKETED GOAL**

Note : can be used with optional Stadium Box nets

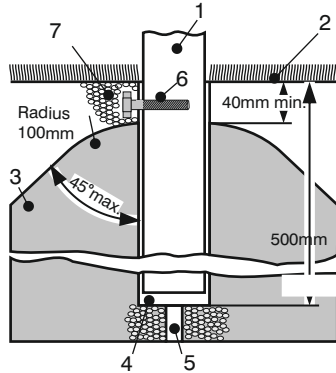


**ⓘ INSTALLING & DISMANTLING THE GOAL** (see OVERLEAF)  
For information on installing and dismantling the goal please read and follow the instructions on the other side of the page.

**⚠ WARNING**  
MAKE SURE NO CHILDREN ARE PRESENT AT ANY TIME DURING GOAL INSTALLATION, REMOVAL OR ASSEMBLY.  
GOALS MUST ALWAYS BE DISMANTLED IF NOT IN USE.

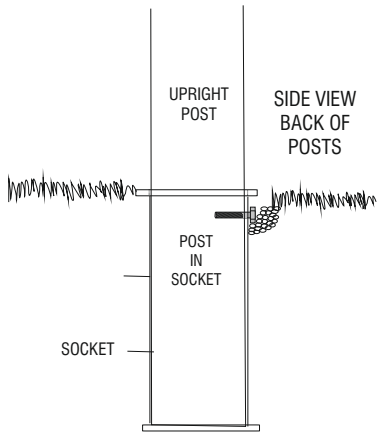
# GROUND SOCKET *Installation diagram*

- 1 Upright
- 2 Sport Surface
- 3 Concrete Block
- 4 Ground Socket
- 5 Drainage Hole
- 6. Socket Bolt
- 7. Pea Gravel

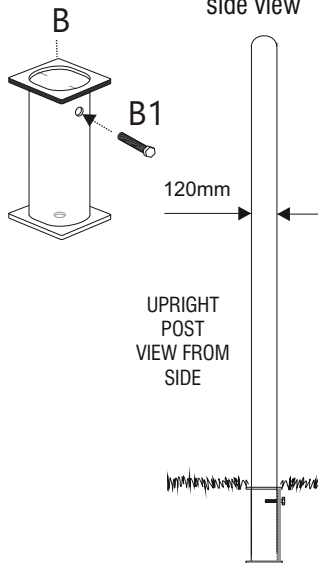


Note 'Socket bolt' must be inserted to prevent ingress of soil into ground socket. Put a dab of grease on it and insert the screw into the hole and just leave it in place. At any time in the future it can be locked'.

## IMPORTANT- GROUND SOCKET



## GOAL POST in ground socket side view



Locate Upright locking screw to the back of the post when fitting.

**GOALPOST PROTECTOR TAPE**  
AVAILABLE SEPARATELY

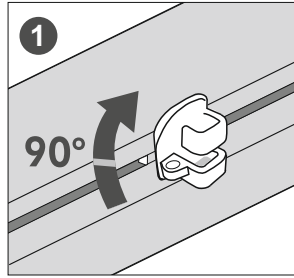
Protects paintwork at the base of the upright.

TO PURCHASE VISIT [www.soccertackle.com](http://www.soccertackle.com)

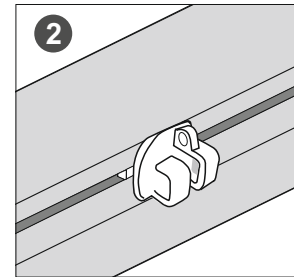


For spare parts or additional products call the goal-line 0114 2434200 or visit our online supplier [www.soccertackle.com](http://www.soccertackle.com)

## TWIST & LOCK FIXINGS



Fit into groove on goalpost section.



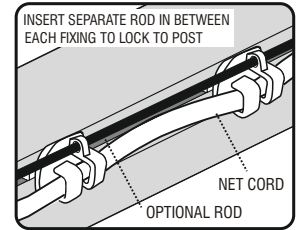
Twist 90 degrees to secure. Position the fixings no more than 340mm apart.

## NET FITTING

**STEP 1**  
Attach the net to the twist and lock net fixings on the crossbar and uprights. Fit the corners of the net to the top of each upright first then clip the net onto all other net fixings.

**STEP 2**  
Insert the red safety pegs (optional) to peg your net to the ground, fit corners first. Always insert pegs at an angle. When removing pegs use the back of a peg to take out. Do not remove pegs by pulling nets.

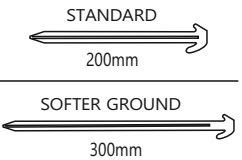
**STEP 4**  
The net will have a net head cord. This is to lift the roof of the goal up behind the crossbar. Wrap the cord on the top of the net support on one side and tie off then go to the other side and pull tight and then wrap around the top support and tie off.



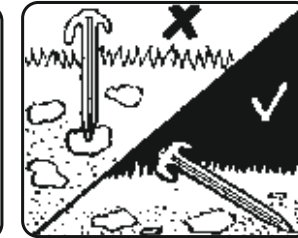
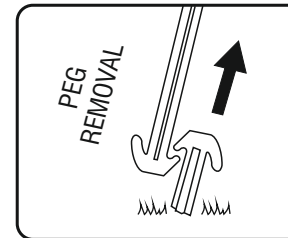
THREAD NET CORD INTO NET FIXINGS

## GROUND PEGS

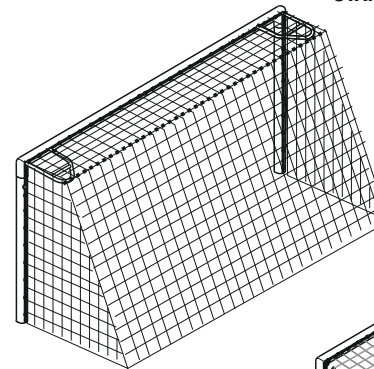
LONGER GROUND PEGS ARE AVAILABLE SEPARATELY.



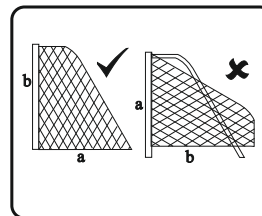
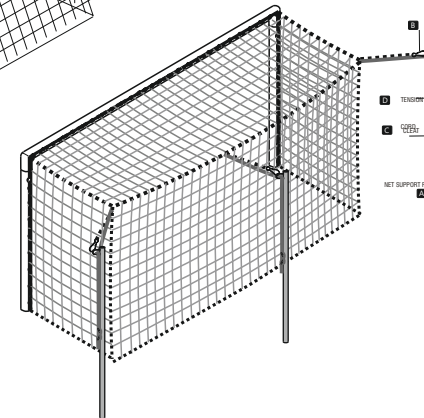
Longer pegs are to be used on sandy or soft ground earth. A risk assessment of soil conditions suitability should be carried out when anchors are to be used.



## STANDARD NET



## OPTIONAL BOX NETS WITH POLES



## OPTIONAL NET RETAINER

