

COMPONENTS

PER POST

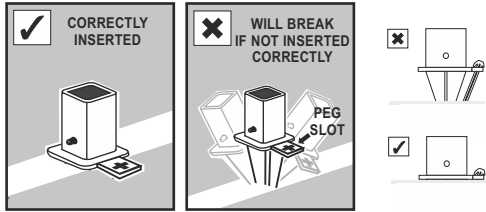
A	FRONT GROUND ANCHOR	x1	
B	GROUND PEG	x1	
C	LARGE QUICK RELEASE BUTTON	x1	
E	RESPECT BARRIER POST	x1	
F	BARRIER POST CAP	x1	

RESPECT BARRIER - OPTION FOR ROPE (rope not included)

Post sizes available
815mm or 580mm LONG -

FRONT GROUND ANCHORS

HAMMER FULL DOWN INTO THE GROUND



1. Make sure the front Ground Anchor is inserted fully and level with the grass surface. If the ground anchor is not fully inserted when pegged down, tension will cause the peg slot to break.

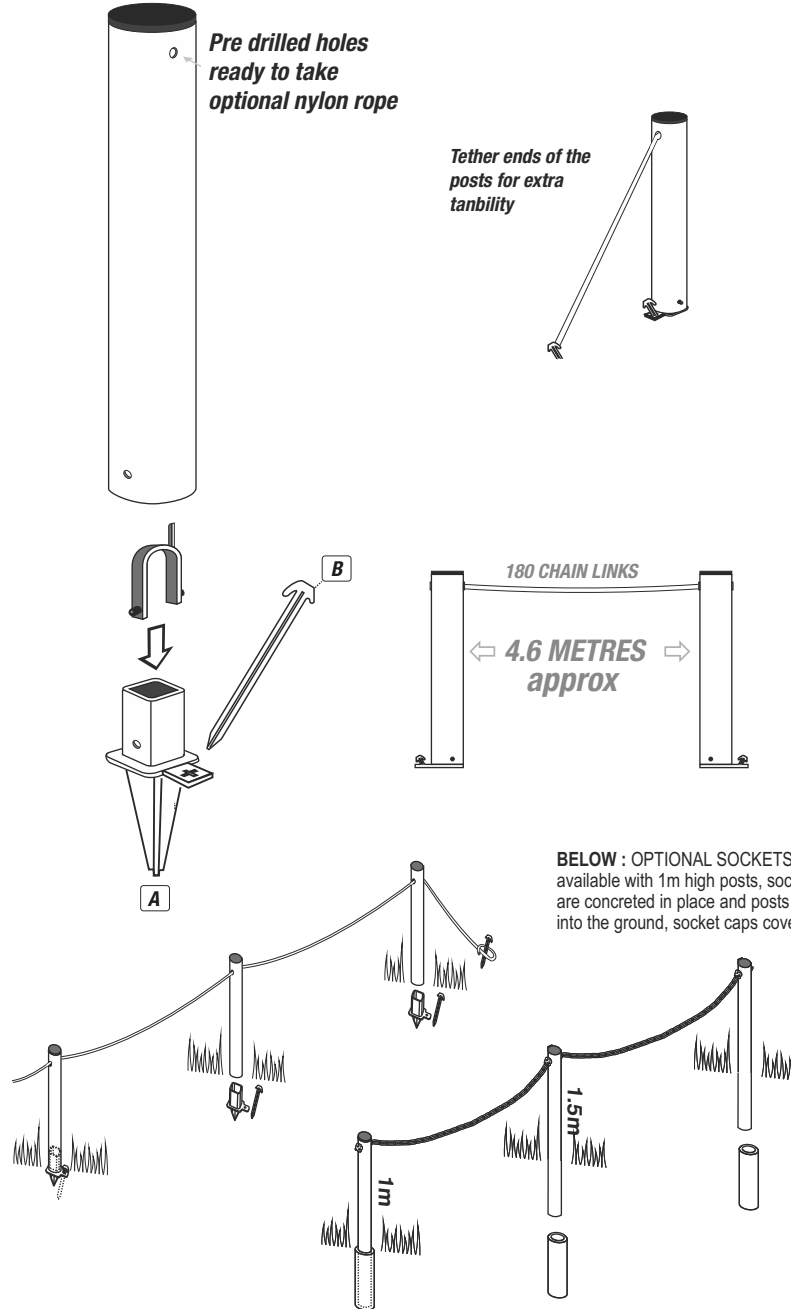
WARNING

✗

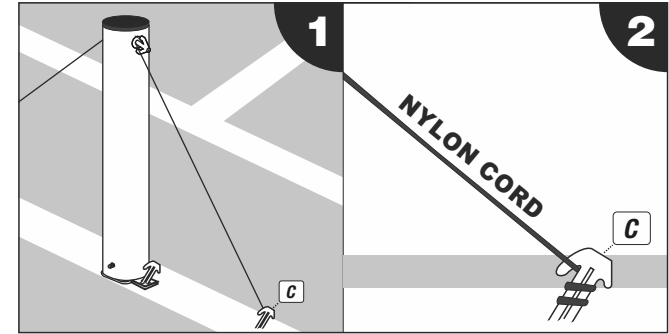
✗

DO NOT LEAN ON POSTS OR ROPE.

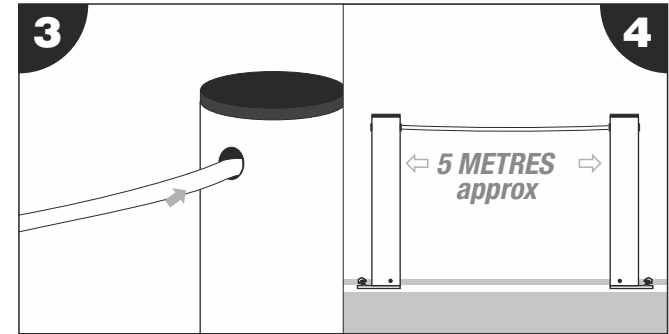
RESPECT BARRIER POSTS WILL NOT BE REPLACED WITHIN THE GUARANTEE PERIOD IF MISUSED. THE RESPECT BARRIER IS ONLY A SEPARATOR BETWEEN SPECTATORS AND PLAYERS.



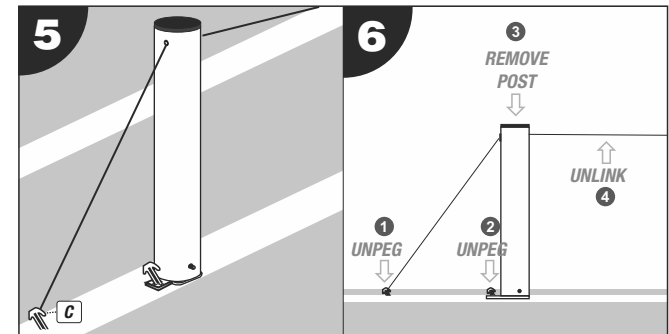
SPARE PARTS TEL: 0114 24 34 200



1. With your first barrier post in position use the tension peg to reinforce stability before assembling the rest of the barrier pack. Always start erecting the barrier from one side for an easy and efficient assembly (steps 1 - 2).



1. Attach your own rope into pre drilled holes. You will need approximately 5 metres of rope between posts.



1. On the last barrier post use a tension peg to complete your barrier system and reinforce stability. **To dismantle** simply start at one end and follow the steps in reverse order un-pegging and un-linking the posts (steps 5 - 6).

Please note: This is a temporary no load bearing quick-fit barrier to separate spectators from players for a more permanent solution please visit itsagoal.net