







**STADIUM
SOCKETED****24' X 8' ELLIPTICAL ALUMINIUM 120X100MM SOCKETED GOAL****FITTING
INSTRUCTION****tsaGoal**
www.itsagoal.net

TEL: 0114 24 34 200

COMPONENTS

- A** CHROME BARREL LOCK & KEY **x2** 
- B** GROUND SOCKET **x2** 
- B1** SOCKET BOLT 45mm THREAD LENGTH **x2** 
8mm
- C** TWIST AND LOCK NET FIXING **x50** 




POST SECTIONS

- H** CROSSBAR SECTION **x1** 
120mm x 100mm Diameter (Elliptical) 100mm
- I** UPRIGHT SECTION **x2** 
120mm x 100mm Diameter (Elliptical) 100mm

OPTIONAL ITEMS**NET SUPPORT** SUPPLIED IF PURCHASED WITH GOAL.

- DS** REMOVABLE 'D' SUPPORT **x2** 
- J** M8 WINGNUT AND HEX SCREW - 50mm LONG **x4** 
8mm

SOCKET CAP SUPPLIED IF PURCHASED WITH GOAL.

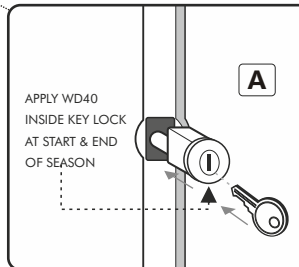
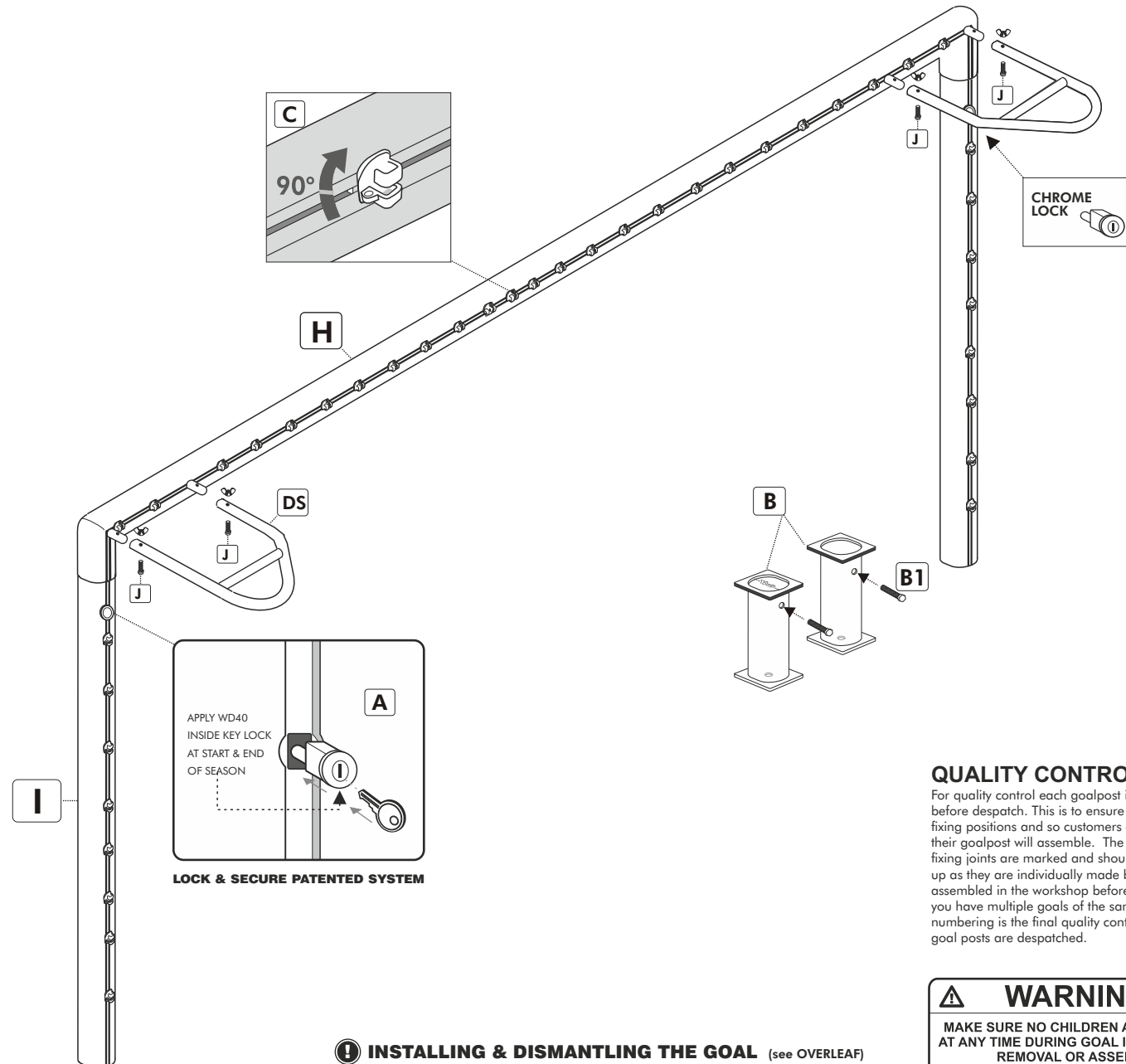
- CAP** OVAL LOCKING SOCKET CAP **x2** 
- KEY** HEAVY DUTY OVAL LOCKING SOCKET CAP **x2** 
- KEY** OVAL SOCKET CAP KEY **x1** 

NET SUPPLIED IF PURCHASED WITH GOAL.

- NET** GOAL NET **x1** 

ACCESSORIES SUPPLIED IF PURCHASED WITH GOAL.

- GP** GROUND PEG **x40** 
- NET RETAINER - ALLOY **x1**
- NET RETAINER - STEEL **x1**

**LOCK & SECURE PATENTED SYSTEM****QUALITY CONTROL**

For quality control each goalpost is assembled before despatch. This is to ensure alignment of fixing positions and so customers can be assured their goalpost will assemble. The corners and fixing joints are marked and should be matched up as they are individually made by craftsmen and assembled in the workshop before despatch. If you have multiple goals of the same type the numbering is the final quality control check before goal posts are despatched.

WARNING

MAKE SURE NO CHILDREN ARE PRESENT AT ANY TIME DURING GOAL INSTALLATION, REMOVAL OR ASSEMBLY.

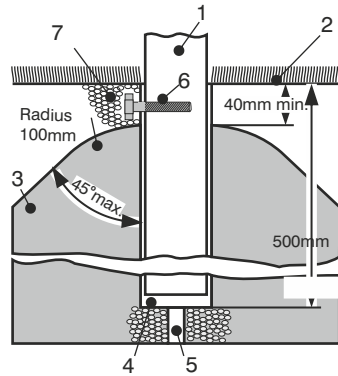
GOALS MUST ALWAYS BE DISMANTLED IF NOT IN USE.

INSTALLING & DISMANTLING THE GOAL (see OVERLEAF)

For information on installing and dismantling the goal please read and follow the instructions on the other side of the page.

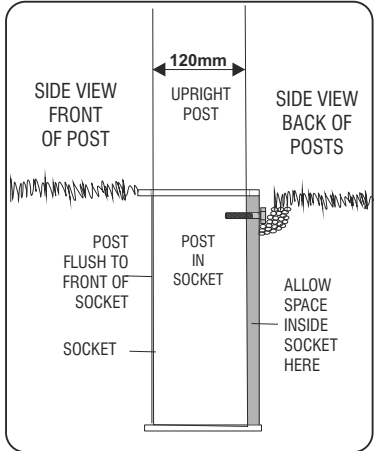
GROUND SOCKET *Installation diagram*

- 1 Upright
- 2 Sport Surface
- 3 Concrete Block
- 4 Ground Socket
- 5 Drainage Hole
- 6. Socket Bolt
- 7. Pea Gravel



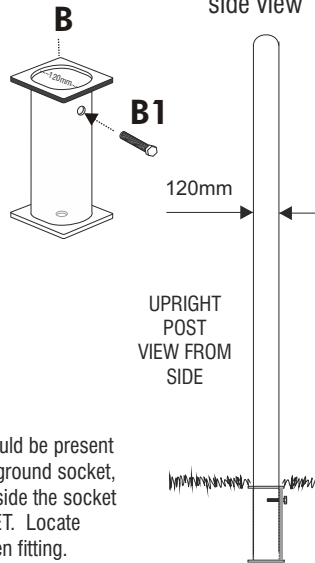
Note 'Socket bolt' must be inserted to prevent ingress of soil into ground socket. Put a dab of grease on it and insert the screw into the hole and just leave it in place. At any time in the future it can be locked'.

IMPORTANT- GROUND SOCKET



Grey area on diagram denotes the space that should be present once goal is inserted in socket. When fitting any ground socket, tape the top over to prevent concrete dropping inside the socket DURING INSTALLATION OF THE GROUND SOCKET. Locate Upright locking screw to the back of the post when fitting.

GOAL POST in ground socket side view



GOALPOST PROTECTOR TAPE
AVAILABLE SEPARATELY

Protects paintwork at the base of the upright.

TO PURCHASE VISIT www.soccertackle.com

LOCKABLE GROUND SOCKET CAPS
ARE AVAILABLE SEPARATELY

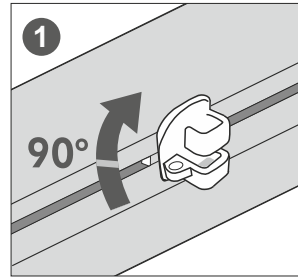
To cover and protect Ground Socket.

TO PURCHASE VISIT www.soccertackle.com

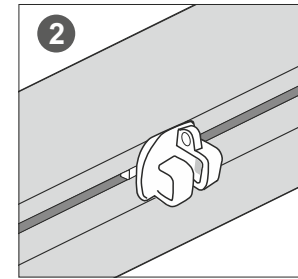


For spare parts or additional products call the goal-line 0114 2434200 or visit our online supplier www.soccertackle.com

TWIST & LOCK FIXINGS



Fit into groove on goalpost section.



Twist 90 degrees to secure. Position the fixings no more than 340mm apart.

NET FITTING

STEP 1

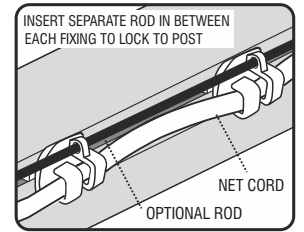
Attach the net to the twist and lock net fixings on the crossbar and uprights. Fit the corners of the net to the top of each upright first then clip the net onto all other net fixings.

STEP 2

Insert the red safety pegs (optional) to peg your net to the ground, fit corners first. Always insert pegs at an angle. When removing pegs use the back of a peg to take out. Do remove pegs by pulling nets.

STEP 4

The net will have a net head cord. This is to lift the roof of the goal up behind the crossbar. Wrap the cord on the top of the net support on one side and tie off then go to the other side and pull tight and then wrap around the top support and tie off.



THREAD NET CORD INTO NET FIXINGS

GROUND PEGS

LONGER GROUND PEGS ARE AVAILABLE SEPARATELY.

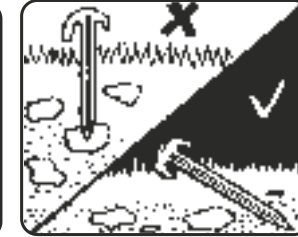
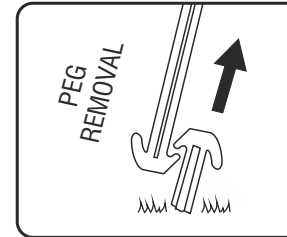
STANDARD

200mm

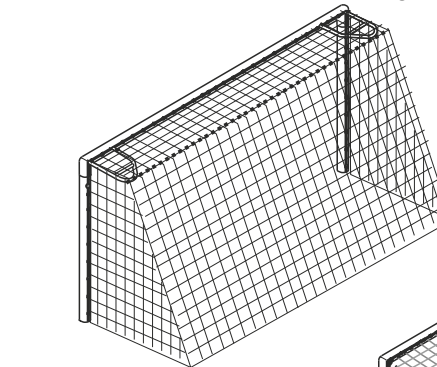
SOFTER GROUND

300mm

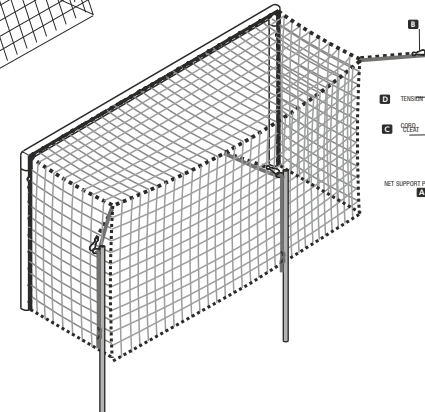
Longer pegs are to be used on sandy or soft ground earth. **A risk assessment of soil conditions suitability should be carried out when anchors are to be used.**



STANDARD NET



OPTIONAL BOX NETS WITH POLES



OPTIONAL NET RETAINER

