






COMPONENTS

A	CORNER BRACKET	x4	
B	'T' BRACKET	x2	
C	BLANKING CAP	x6	
I	MULTI-SURFACE ANCHOR	x3	
J	GROUND PEG	x6	

POST SECTIONS

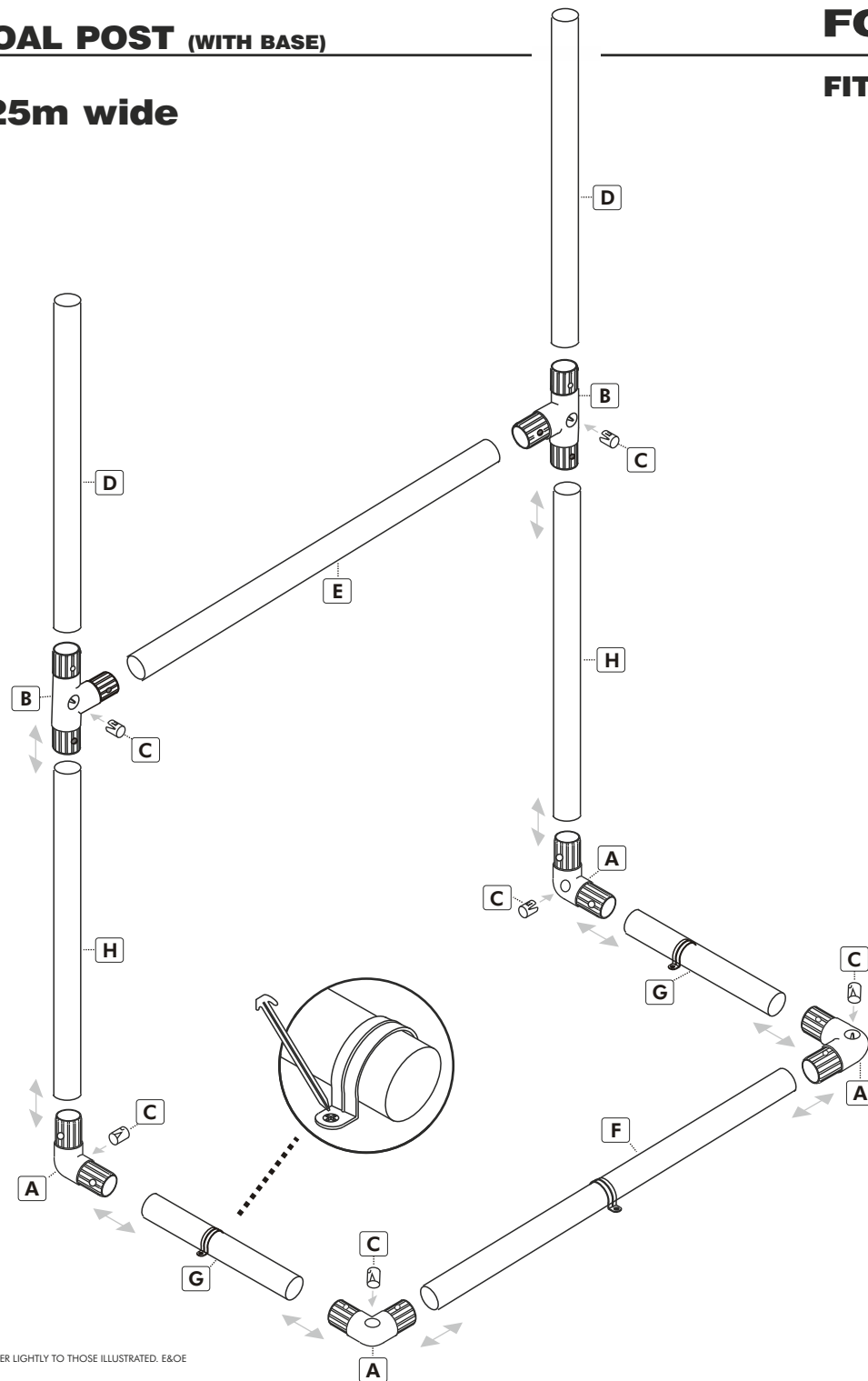
D	TOP POST SECTION 1205mm LONG - 68mm Diameter	x2	
E	CROSSBAR SECTION 1205mm LONG - 68mm Diameter	x1	
F	BACKBAR SECTION 1205mm LONG - 68mm Diameter	x1	
G	SIDEBAR SECTION 580mm LONG - 68mm Diameter	x2	
H	UPRIGHT SECTION 815mm LONG - 68mm Diameter	x2	

JUNIOR RUGBY GOAL POST (WITH BASE)

2.18m high x 1.25m wide

FOOTIEGOALS

FITTING INSTRUCTION



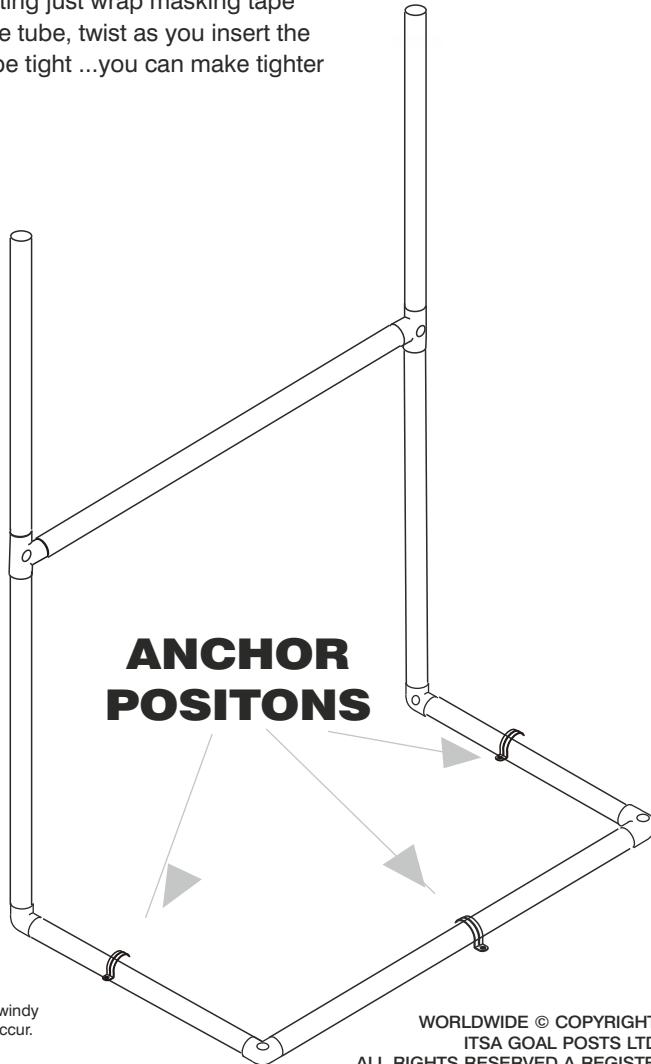
**POST EXTENSIONS & SPARE PARTS
AVAILABLE TEL 0114 243 4200**

ANCHOR

YOUR GOAL POSTS

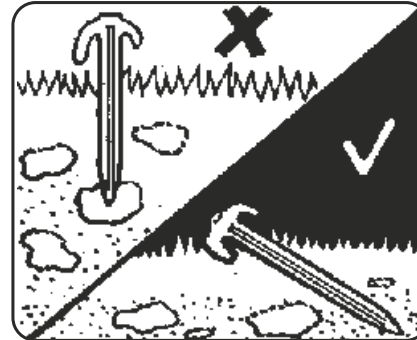
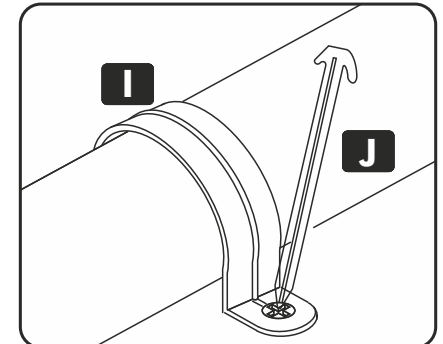
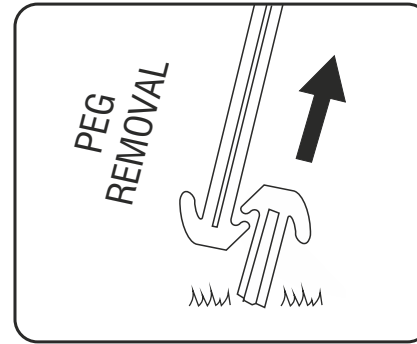
During a game the posts must have the ground anchors inserted as shown below, in order to fully hold the goal post ground sections together.

NOTE : All plastic extrusions vary and therefore some tubes may be looser or tighter to connector fittings. If you want to increase the diameter of the fitting just wrap masking tape around the part that fits into the tube, twist as you insert the fitting and it will grab to the tube tight ...you can make tighter fits by adding more tape.



DO NOT USE IN WINDY CONDITIONS
NOTE: Goal must be disassembled in windy conditions otherwise breakages may occur.

WORLDWIDE © COPYRIGHT 2016
ITSA GOAL POSTS LTD,
ALL RIGHTS RESERVED A REGISTERED DESIGN

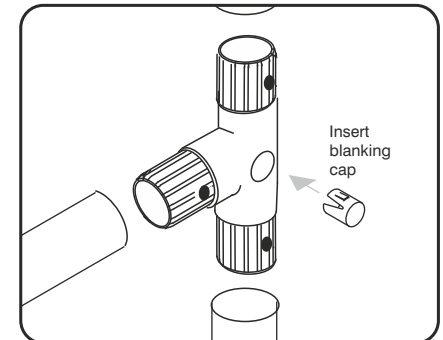
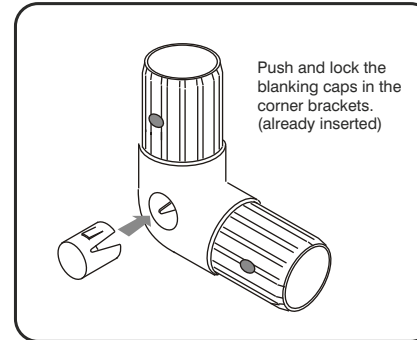


LONGER GROUND PEGS ARE AVAILABLE SEPARATELY.

STANDARD
200mm

SOFTER GROUND
300mm

Longer pegs are to be used on sandy or Soft ground earth. A risk assessment of soil conditions suitability should be carried out when anchors are to be used.



GROUND FRAME
2 x MULTI SURFACE ANCHORS
M10 SLEEVE ANCHOR RAWBOLT
WASHER
12.3cm
DRILL HOLE
CONCRETE BLOCK (FOR USE ON TARMAC)
15cm 15cm 30cm

THIS METHOD SECURELY ANCHORS YOUR GOAL DOWN ON TARMAC. DO NOT OVER TIGHTEN BOLT.