

# Installation of ground Sockets 2007

1. Mark out Pitch & Check pitch is square before installing sockets. For assistance in doing this please visit [www.minisoccer.com](http://www.minisoccer.com) (How to Mark a Pitch) or [www.itsagoal.net](http://www.itsagoal.net) (under Pro Socketed Aluminium).

2. When you are sure the pitch is square mark the position of the centre of the goal line (see overleaf)  
NOTE: half the width of the goal either side of the goal line centre point = Upright positions  
I.e. A 24' x 8' goal will have uprights positioned 12' either side of the centre point

3. Put one upright in at one end of the marked out pitch first. Ensure that they are at the correct height and that they are vertical not leaning to the side, backwards or forwards. (Use a level and timber supports to hold in place until concrete has hardened.

4. Once the socket has hardened and secured, you can use this with the upright inserted to support the rest of the goal whilst the second socket is concreted in place.

Position the second upright in to it's socket and fit the crossbar, bolt or lock in place. Ensure the goal is lined up correctly on your goal line. I.e. Place both uprights in with the crossbar secured in place. The first upright and crossbar attached will help to support the newly concreted second upright with crossbar attached while setting.

### NEVER INSTALL GOALS WITH CHILDREN PRESENT

5. Level up the second upright as before & check crossbar is running parallel to the ground. Support second upright with timber (to prevent leaning) until concrete has hardened.

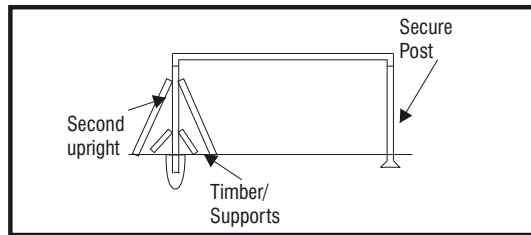
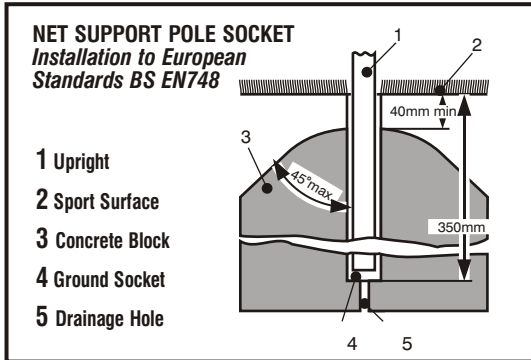
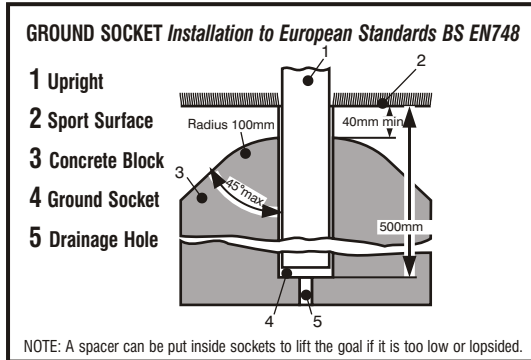
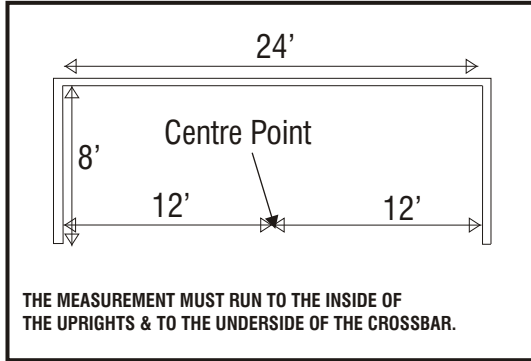
If you have not created a drainage hole in concrete - push rod through before concrete hardens off. It is a good idea to use a level on the crossbar also and then take any imperfections out in the ground level after the goal has completely settled Never install or dismantle goalpost with children in the near vicinity. If children are likely to be drawn to your installation. Stay with goal until concrete has fully set. Do not take any risks.

These goals must only be used with the correct ground sockets provided by I.T.S.A. Goal. They must be concreted in position correctly as shown and as per the relevant safety standards. BS EN748 - BS 8462 & BS 8461 (Goal Maintenance).

You can contact our technical director on mobile 07974745768 for any help on installation.

FOR FURTHER INFORMATION & ADDITIONAL FITTING INSTRUCTIONS VISIT OUR WEB SITE:

[www.itsagoal.net](http://www.itsagoal.net)  
MEADOWHALL SOCCER CENTRE  
FERRARS ROAD, TINSLEY, SHEFFIELD S9 1RZ  
TEL: 0114 243 4200



## FITTING BOX NETS

ATTACH THE NET TO THE GOAL FRAME, TO THE CROSSBAR FIRST THEN BOTH UPRIGHTS.  
WE ADVISE TWO CORDS BE FIXED TO THE NET AT EACH POLE POSITION. ONE CORD IS MEASURED TO THE POLE POSITION WITH A PLASTIC CLIP AND THE OTHER IS LONGER AND LOOSE TO TAKE DOWN THE NET SUPPORT POLE AND TENSION AND TIE OFF THE NET.  
TO INSTALL THE NET, CLIP TO EACH NET SUPPORT POLE THEN LIFT POLE INTO THE GROUND SOCKET AND THIS WILL LIFT NET INTO PLACE AND FORM THE BOX NET.  
USE THE SECOND CORD TO TENSION THE NET. FINALLY PEG OUT THE BASE OF THE NET OR USE GROUND FRAMES TO WEIGHT NET TO THE GROUND

MAKE SURE YOU HAVE THE LONGEST LENGTH (8') - A, FITTING ONTO THE UPRIGHT & THE SHORTEST LENGTH (5') - B, TO THE GROUND.

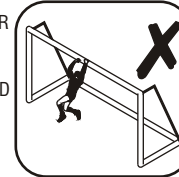
## Warnings

MAKE SURE NO CHILDREN ARE PRESENT AT ANY TIME DURING GOAL INSTALLATION, REMOVAL OR ASSEMBLY

CHECK THE POSITION OF ANY UNDERGROUND SERVICES BEFORE EXCAVATION. WE TAKE NO RESPONSIBILITY FOR ANY DAMAGE OR INJURY CAUSED IN THIS MANNER.

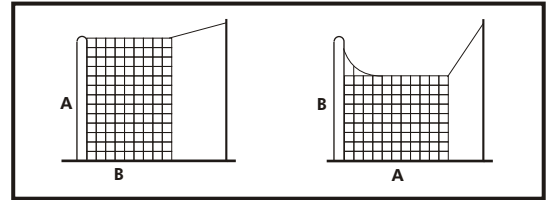
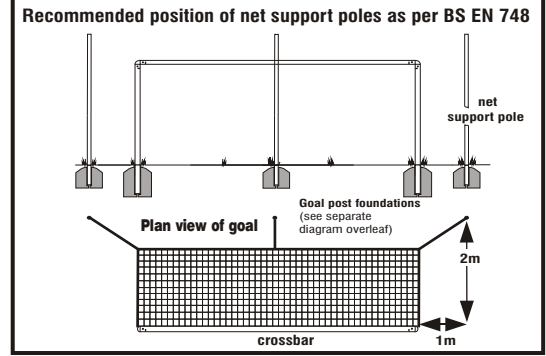
WARNING: DO NOT TOUCH OVERHEAD SERVICES WITH POLES OR ANY PARTS. CHECK THE POSITION OF ANY OVERHEAD SERVICES WHEN SETTING UP OR DISMANTLING. POWER LINES, TELEPHONE CABELS ETC.

DO NOT SWING ON ANY NET SUPPORT POLE OR GOAL POST SECTION.



IT IS RECOMMENDED THAT AFTER USE GROUND SOCKET HOLE ARE COVERED WITH OUR CAPS THAT ARE SOLD SEPARATELY.

TO AVOID DAMAGE WHEN DISMANTLING THE GOAL FOLLOW THESE GUIDELINES: DO NOT USE ANY COMPONENTS PARTS IF THEY ARE DAMAGED OR BROKEN. IT IS ADVISABLE IN EXTREME WINDY CONDITIONS TO DISMANTLE THE GOAL AND STORE AWAY.



## The Football Association Goals for Football Guidance Notes & Technical Details

Freestanding goals will only be safe if you stabilise them properly. Always use the accessories and anchors supplied for the purpose of anchoring a goal. The most reliable methods of stabilising freestanding goals are:

- attaching the back bar to permanent fixing points.
- using adequate weights attached to the goals backbar.

We strongly recommend you use one of these two methods as they are most likely to lead to a safe goal. The diagram on the right shows a typical freestanding goal foundation that will give a permanent pitch fixing. VISIT [www.itsagoal.net](http://www.itsagoal.net) up to date goal post safety information

